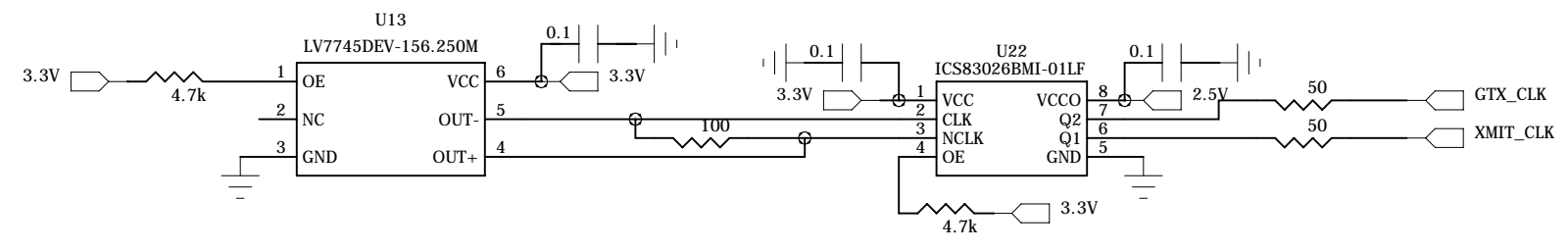
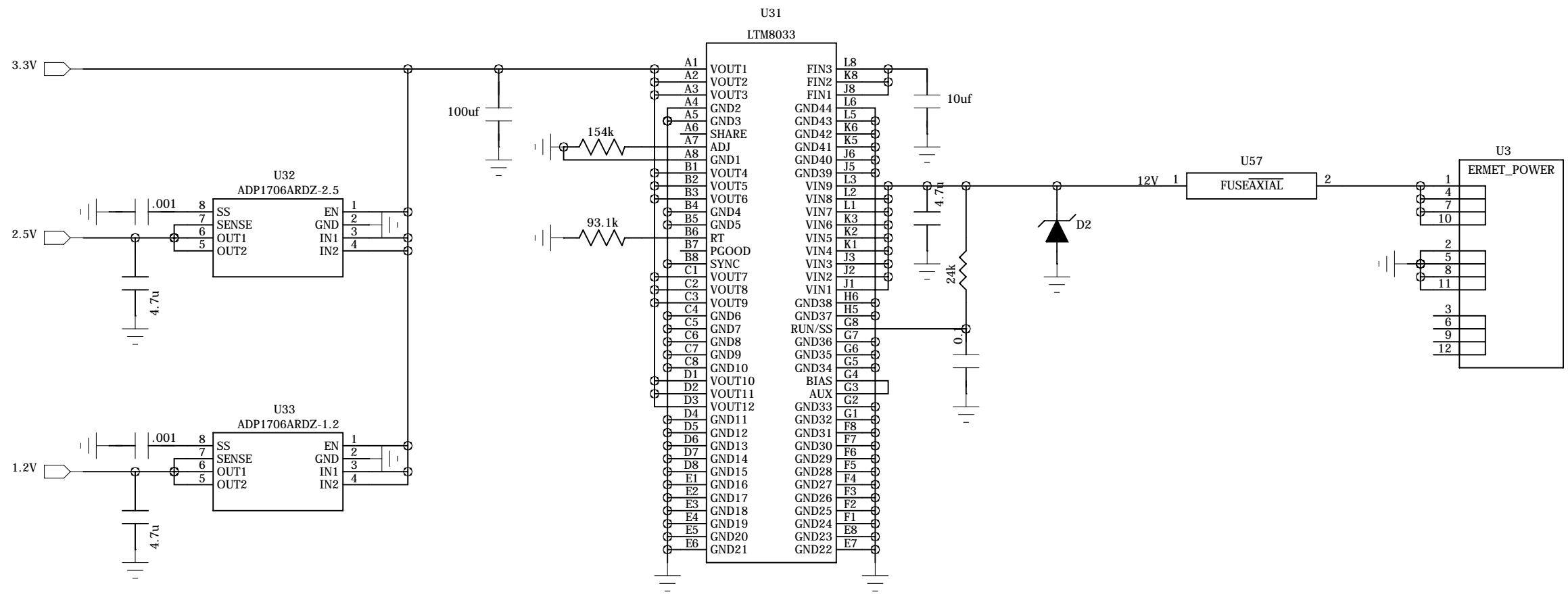


50







- |                              |                              |
|------------------------------|------------------------------|
| X8<br>HOLE_PANEL<br><u>1</u> | X6<br>HOLE_PANEL<br><u>1</u> |
| X7<br>HOLE_PANEL<br><u>1</u> | X5<br>HOLE_PANEL<br><u>1</u> |
| X2<br>HOLE_PANEL<br><u>1</u> | X4<br>HOLE_PANEL<br><u>1</u> |
| X1<br>HOLE_PANEL<br><u>1</u> | X3<br>HOLE_PANEL<br><u>1</u> |

