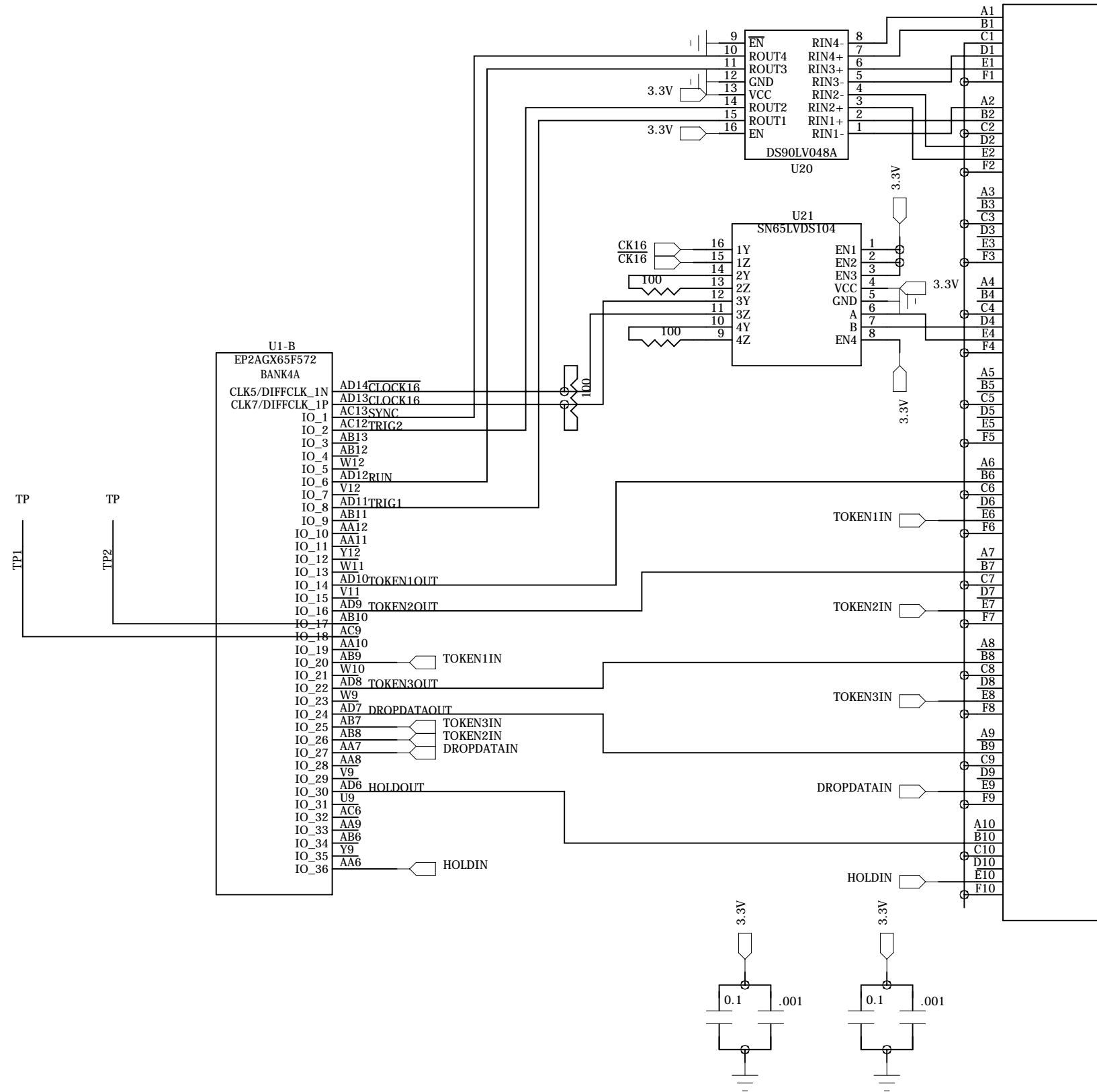
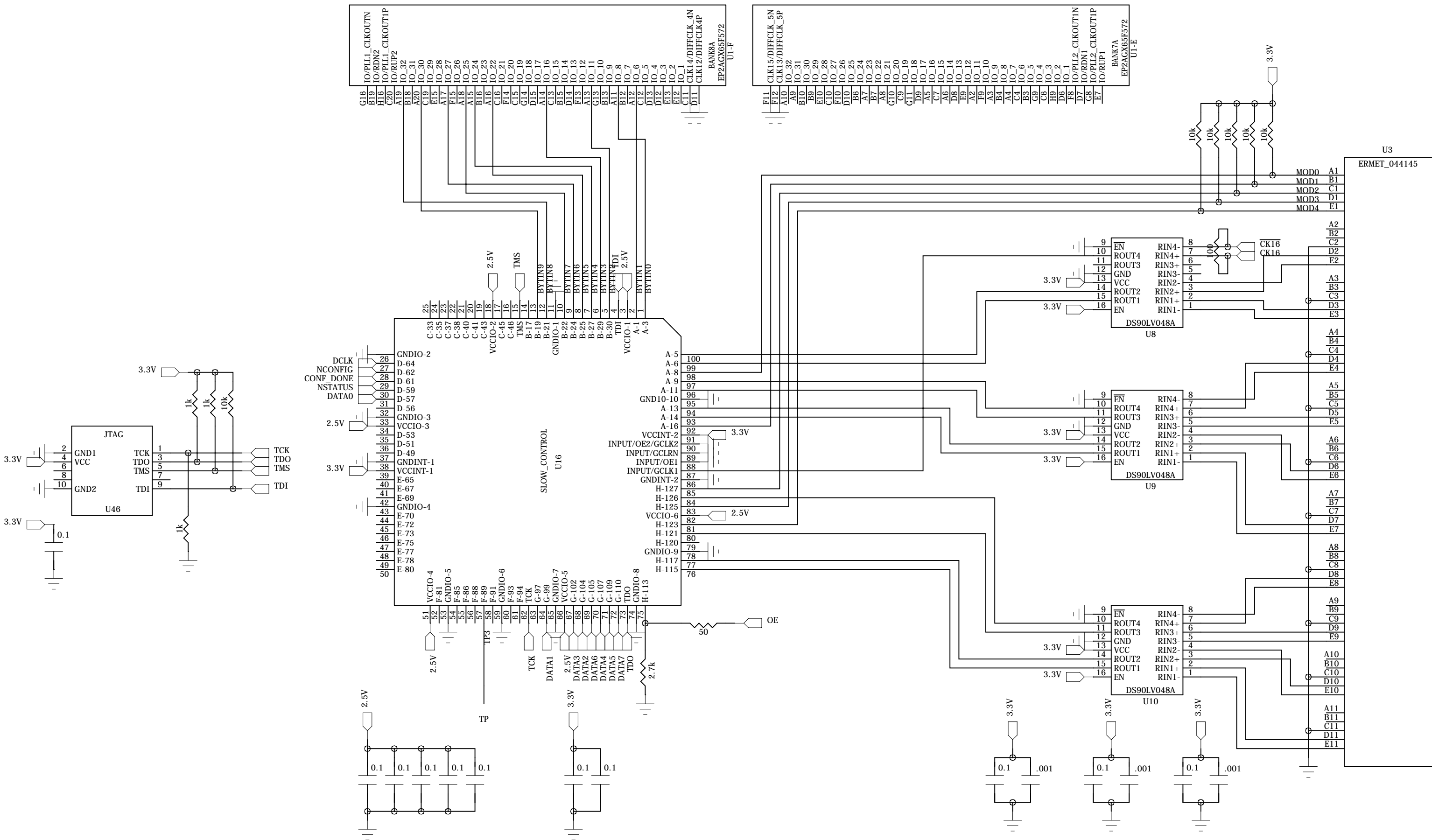


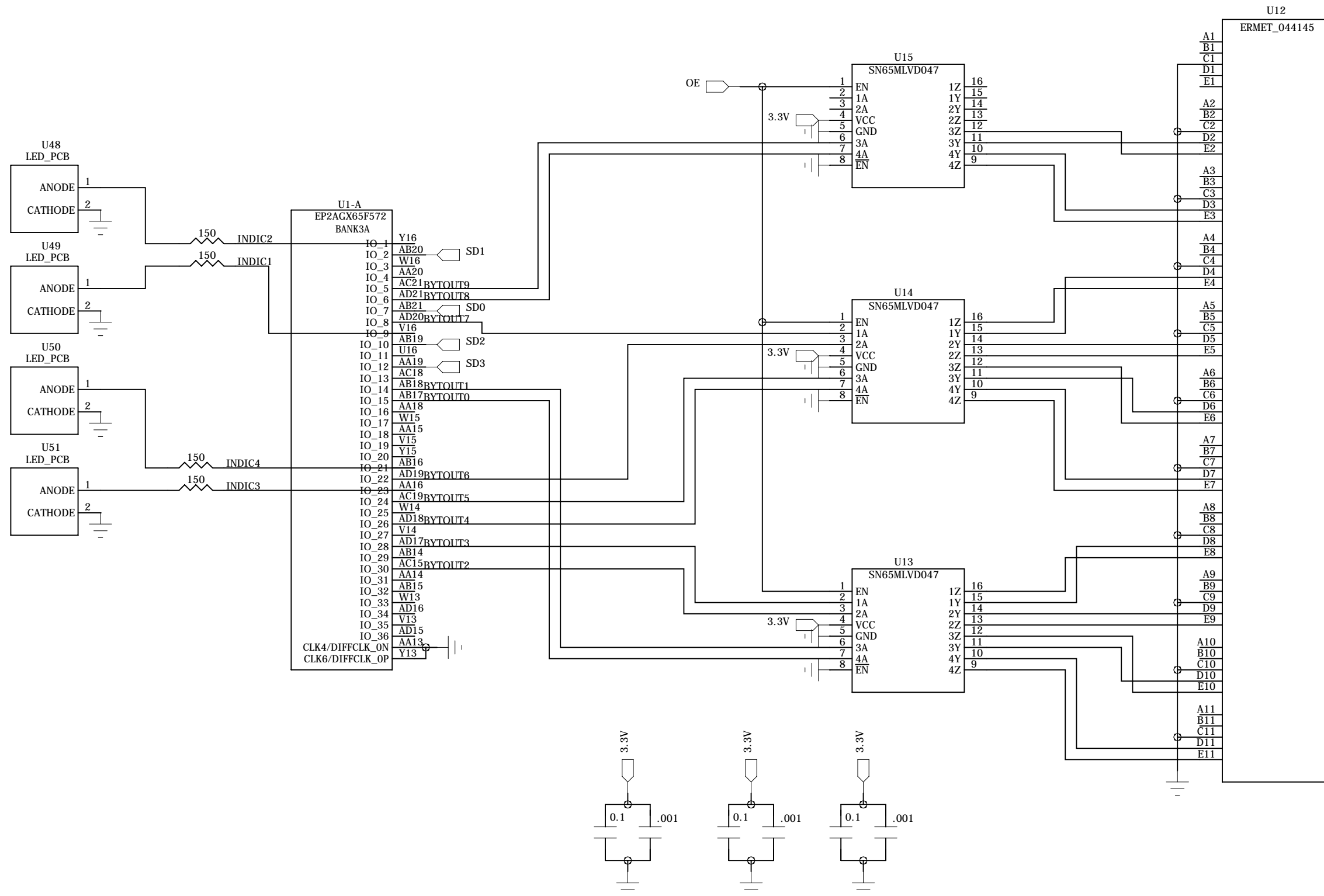
U11
ERMET_ZD_973046

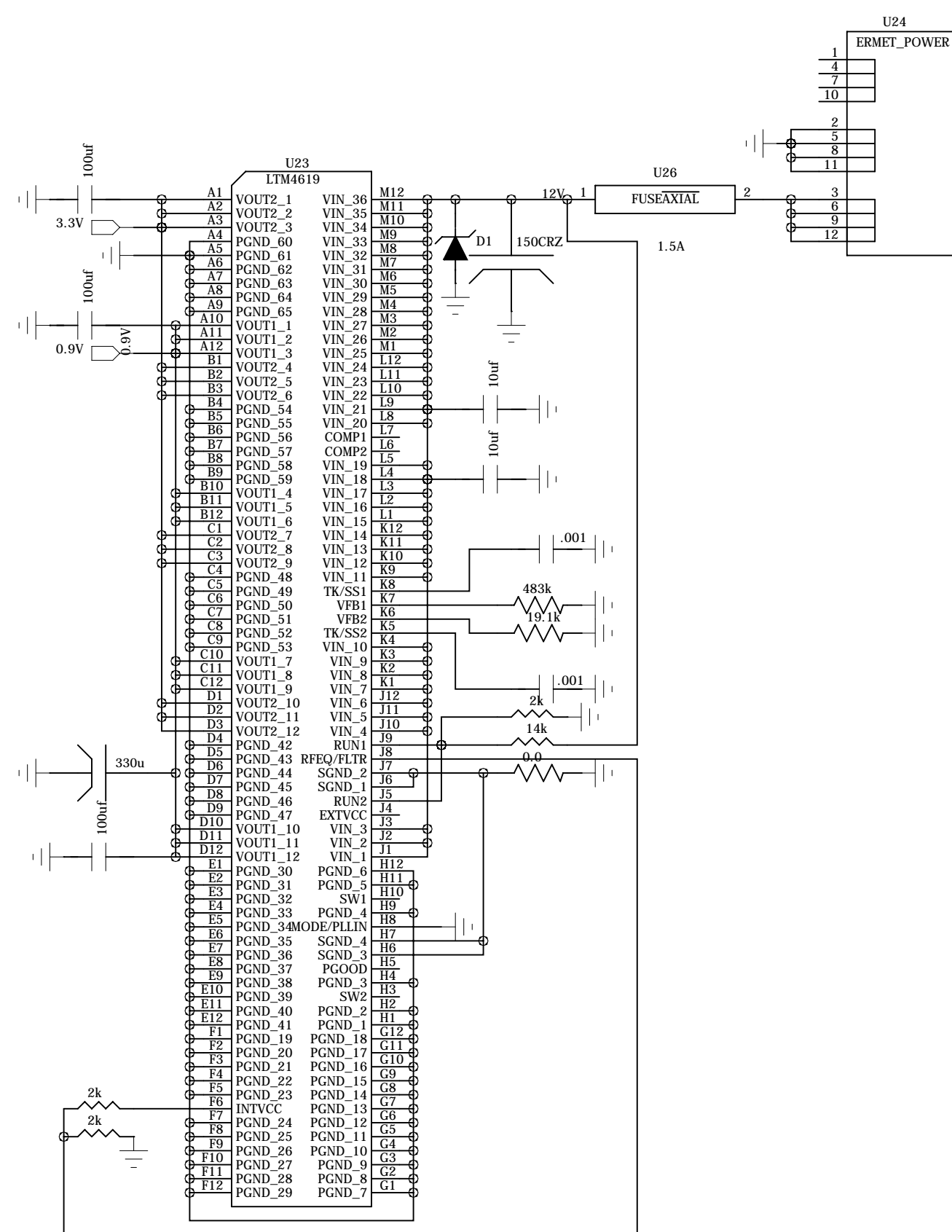
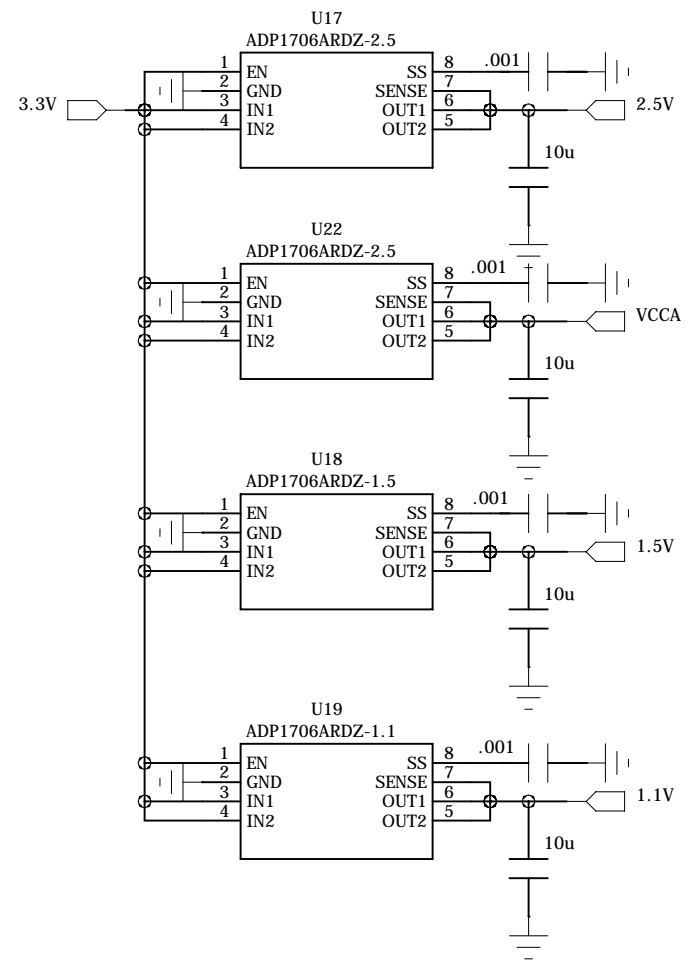




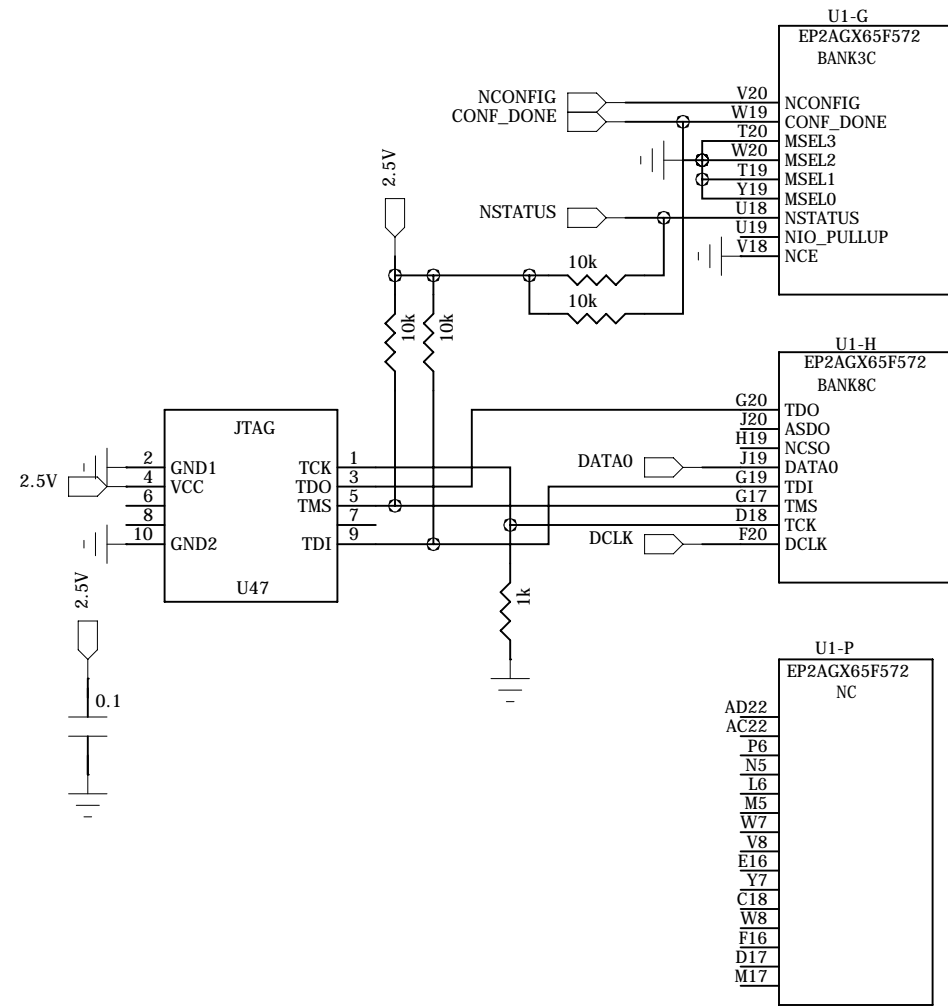
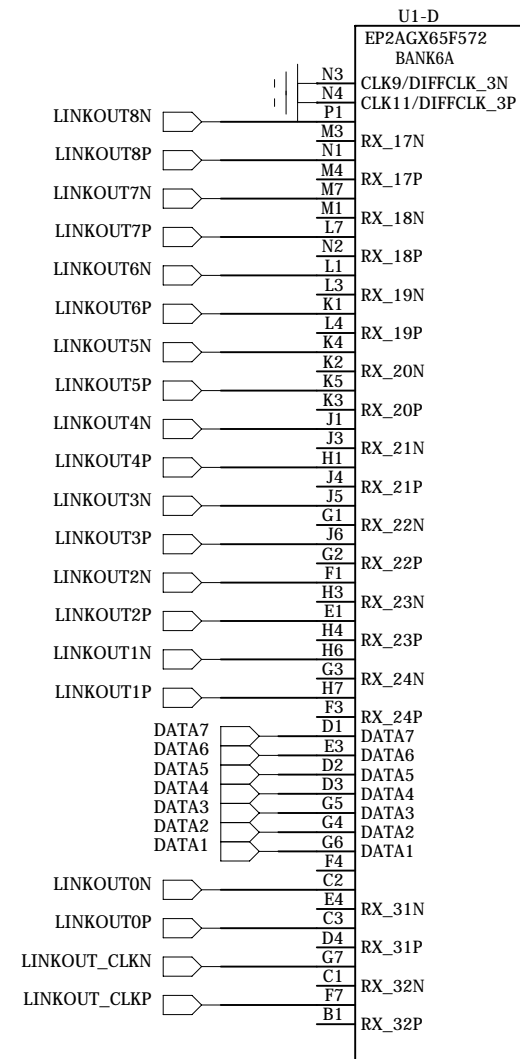
U3

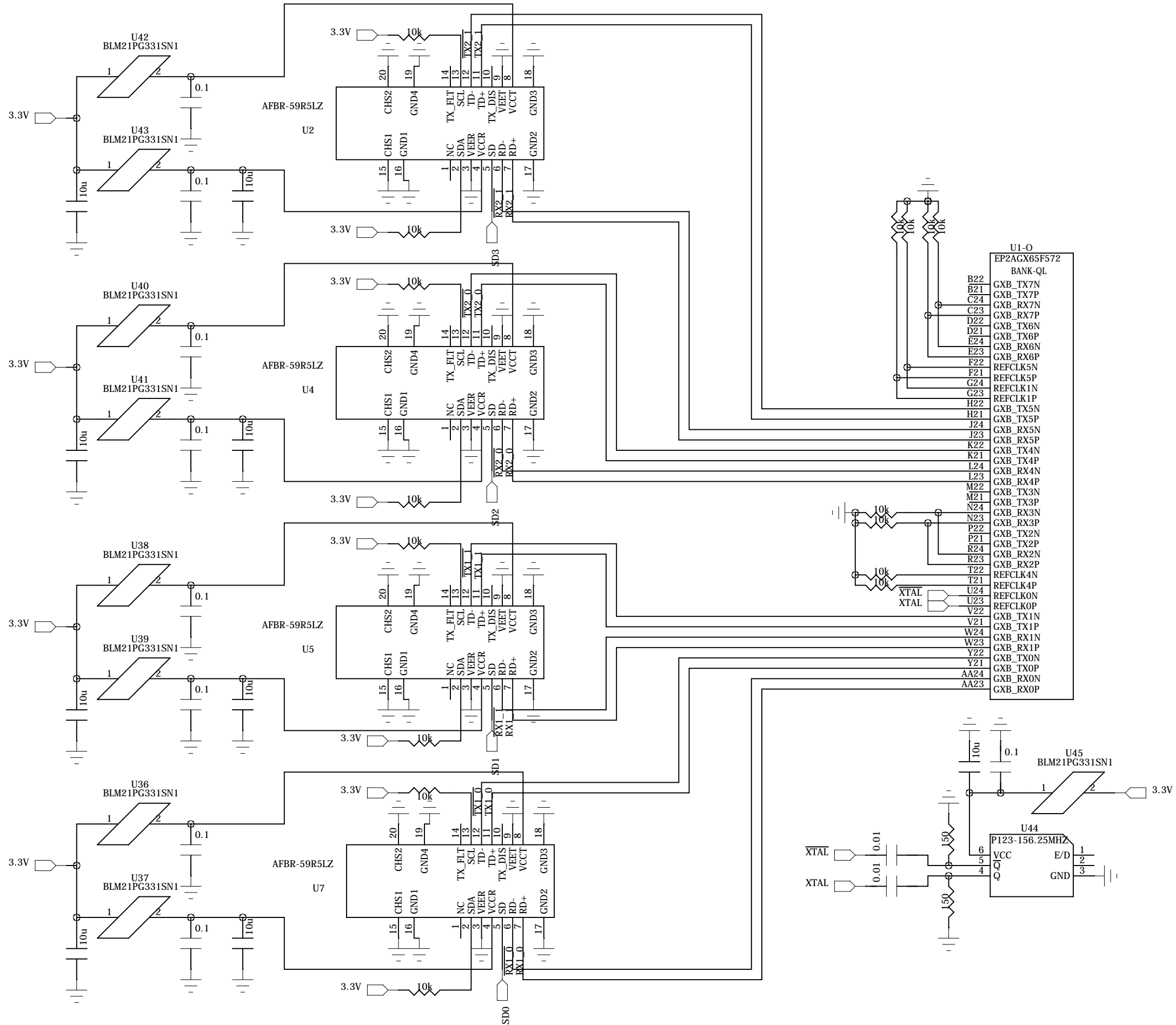
ERMET_044145





- X8
HOLE_PANEL
1
- X7
HOLE_PANEL
1
- X6
HOLE_PANEL
1
- X5
HOLE_PANEL
1
- X4
HOLE_PANEL
1
- X3
HOLE_PANEL
1
- X2
HOLE_PANEL
1
- X1
HOLE_PANEL
1





U1-O	
EP2AGX65F572	
BANK-QL	
B22	GXB_TX7N
B21	GXB_TX7P
C24	GXB_RX7N
C23	GXB_RX7P
D22	GXB_TX6N
D21	GXB_TX6P
E24	GXB_RX6N
E23	GXB_RX6P
F22	REFCLK5N
F21	REFCLK5P
G24	REFCLK1N
C23	REFCLK1P
H22	GXB_TX5N
H21	GXB_TX5P
J24	GXB_RX5N
J23	GXB_RX5P
K22	GXB_TX4N
K21	GXB_TX4P
L24	GXB_RX4N
L23	GXB_RX4P
M22	GXB_TX3N
M21	GXB_TX3P
N24	GXB_RX3N
N23	GXB_RX3P
P22	GXB_TX2N
P21	GXB_TX2P
R24	GXB_RX2N
R23	GXB_RX2P
T22	REFCLK4N
T21	REFCLK4P
U24	REFCLK0N
U23	REFCLK0P
V22	GXB_TX1N
V21	GXB_TX1P
W24	GXB_RX1N
W23	GXB_RX1P
Y22	GXB_TX0N
Y21	GXB_TX0P
AA24	GXB_RX0N
AA23	GXB_RX0P

