

U3
ERMET_044145

MOD0 A1
MOD1 B1
MOD2 C1
MOD3 D1
MOD4 E1

A2
B2
C2
D2
E2

A3
B3
C3
D3
E3

A4
B4
C4
D4
E4

A5
B5
C5
D5
E5

A6
B6
C6
D6
E6

A7
B7
C7
D7
E7

A8
B8
C8
D8
E8

A9
B9
C9
D9
E9

A10
B10
C10
D10
E10

A11
B11
C11
D11
E11

0.1 .001

0.1 .001

0.1 .001

0.1 .001

0.1 .001

0.1 .001

0.1 .001

0.1 .001

0.1 .001

0.1 .001

0.1 .001

0.1 .001

0.1 .001

0.1 .001

0.1 .001

0.1 .001

0.1 .001

0.1 .001

0.1 .001

0.1 .001

0.1 .001

0.1 .001

0.1 .001

0.1 .001

0.1 .001

0.1 .001

0.1 .001

0.1 .001

0.1 .001

0.1 .001

0.1 .001

0.1 .001

0.1 .001

0.1 .001

0.1 .001

0.1 .001

0.1 .001

0.1 .001

0.1 .001

0.1 .001

0.1 .001

0.1 .001

0.1 .001

0.1 .001

0.1 .001

0.1 .001

0.1 .001

0.1 .001

0.1 .001

0.1 .001

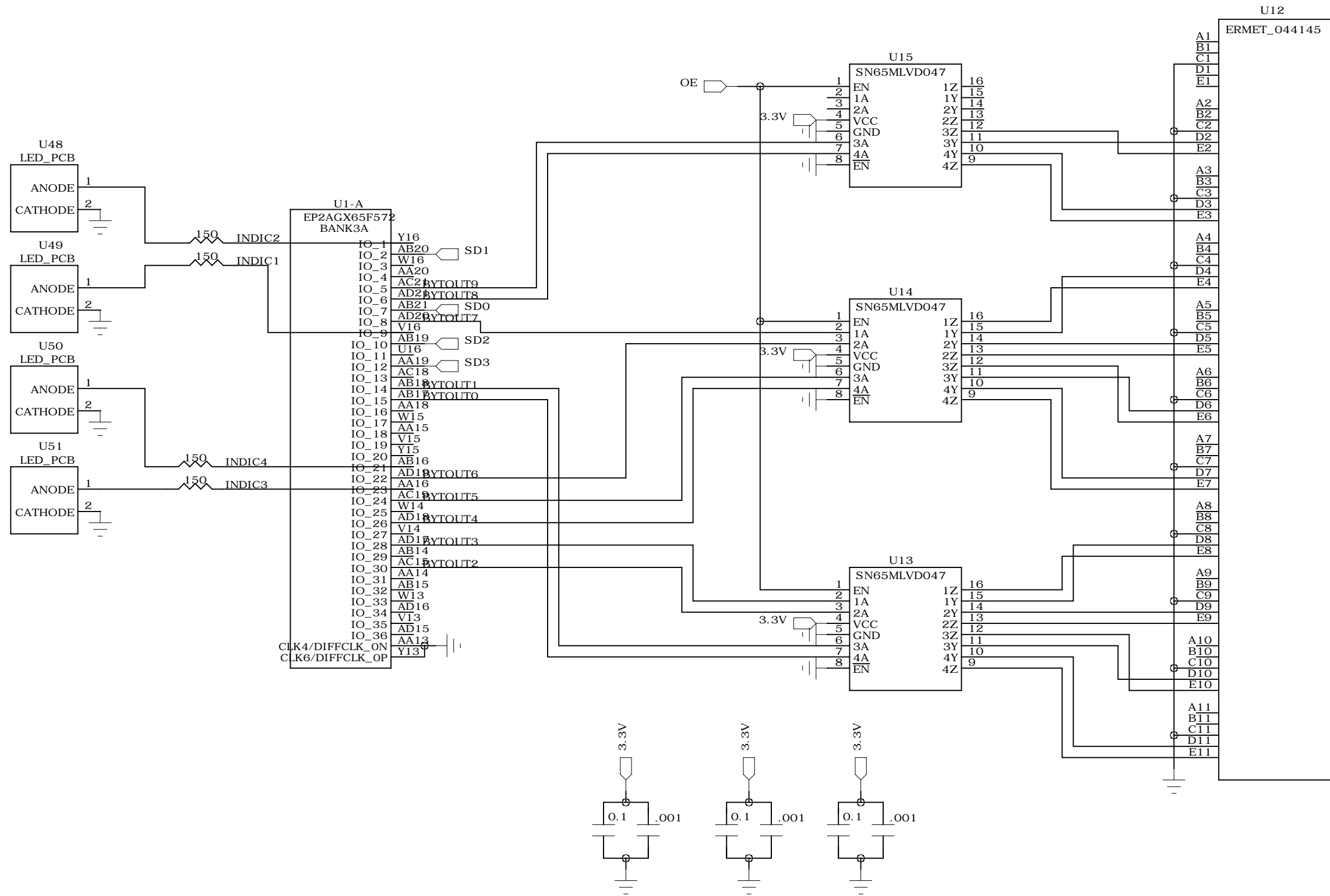
0.1 .001

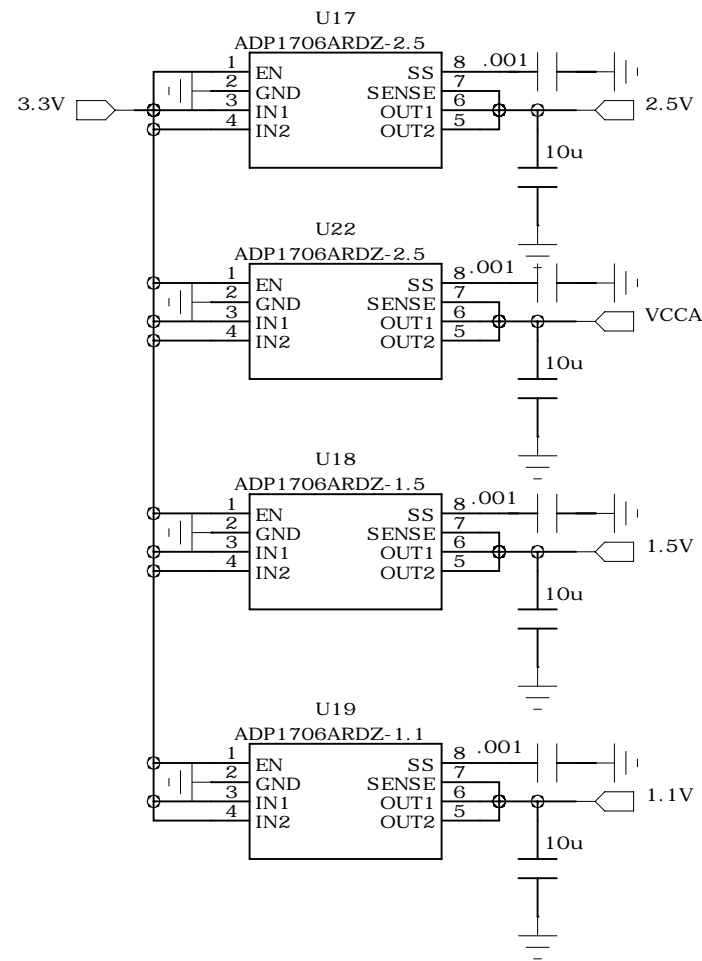
0.1 .001

0.1 .001

0.1 .001

0.1 .001





X8
HOLE_PANEL
1

X7
HOLE_PANEL
1

X6
HOLE_PANEL
1

X5
HOLE_PANEL
1

X2
HOLE_PANEL
1

X1
HOLE_PANEL
1

X4
HOLE_PANEL
1

X3
HOLE_PANEL
1

